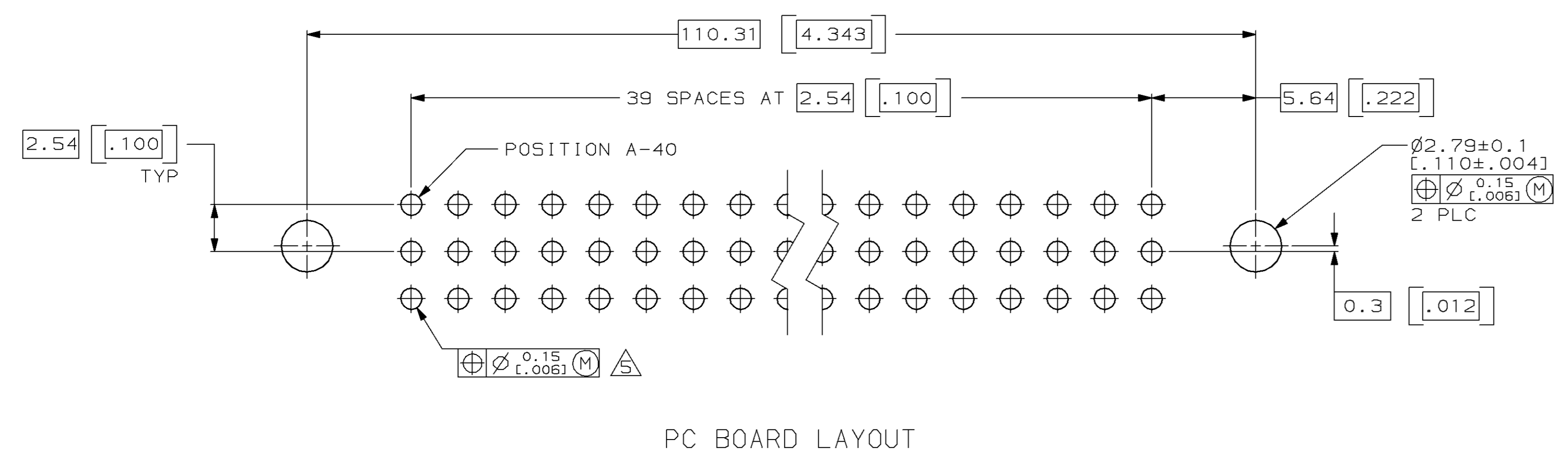
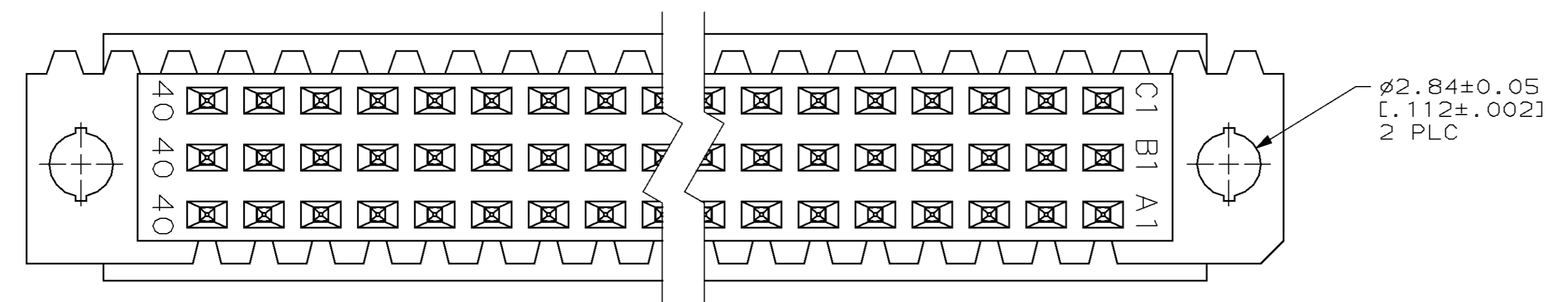
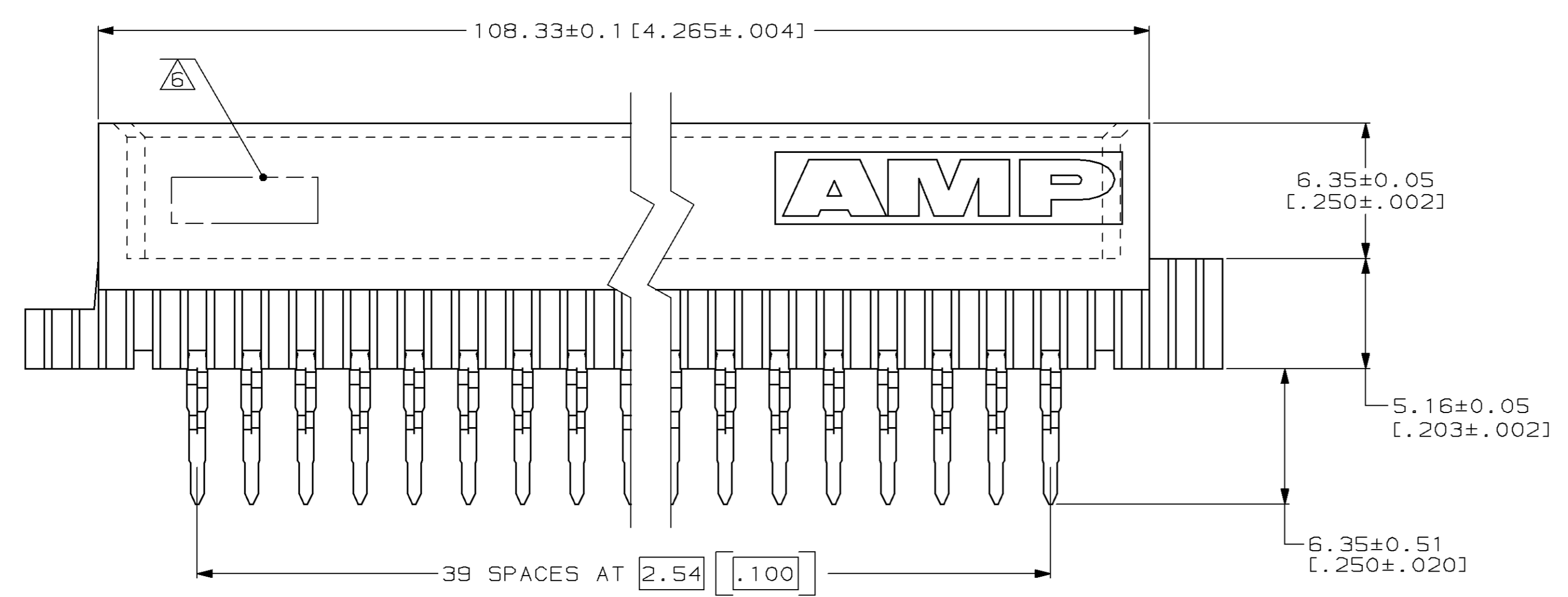
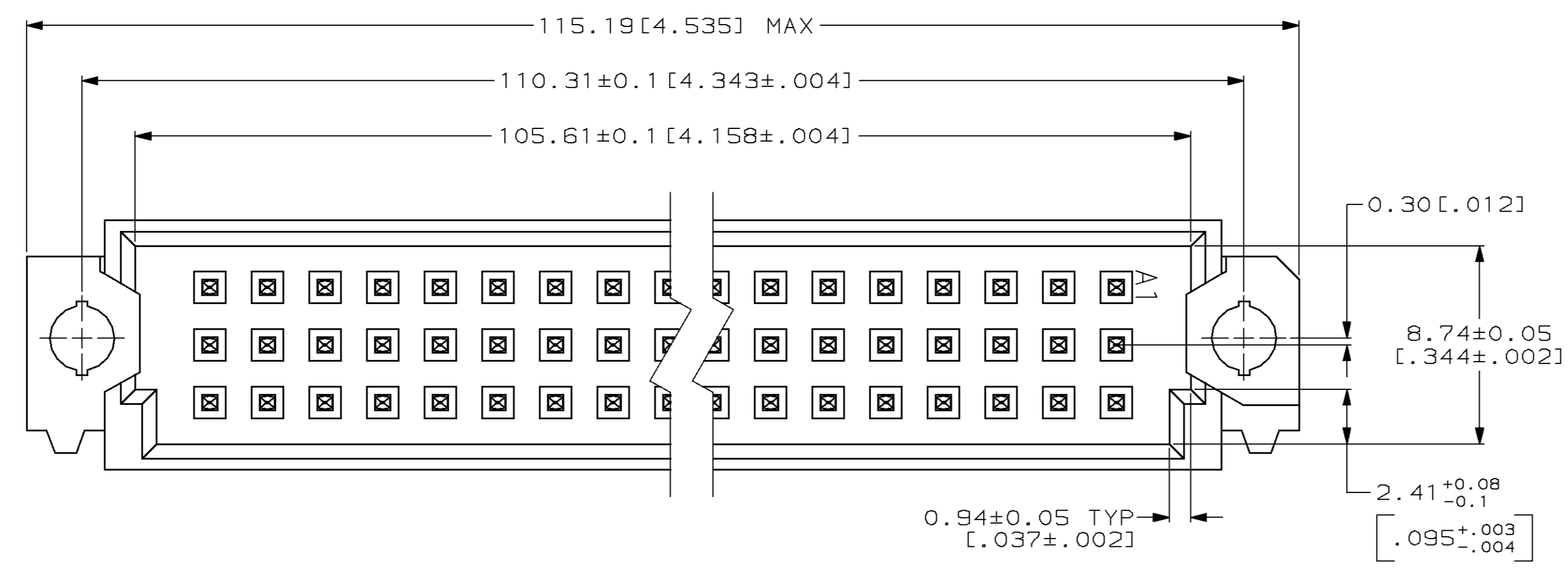
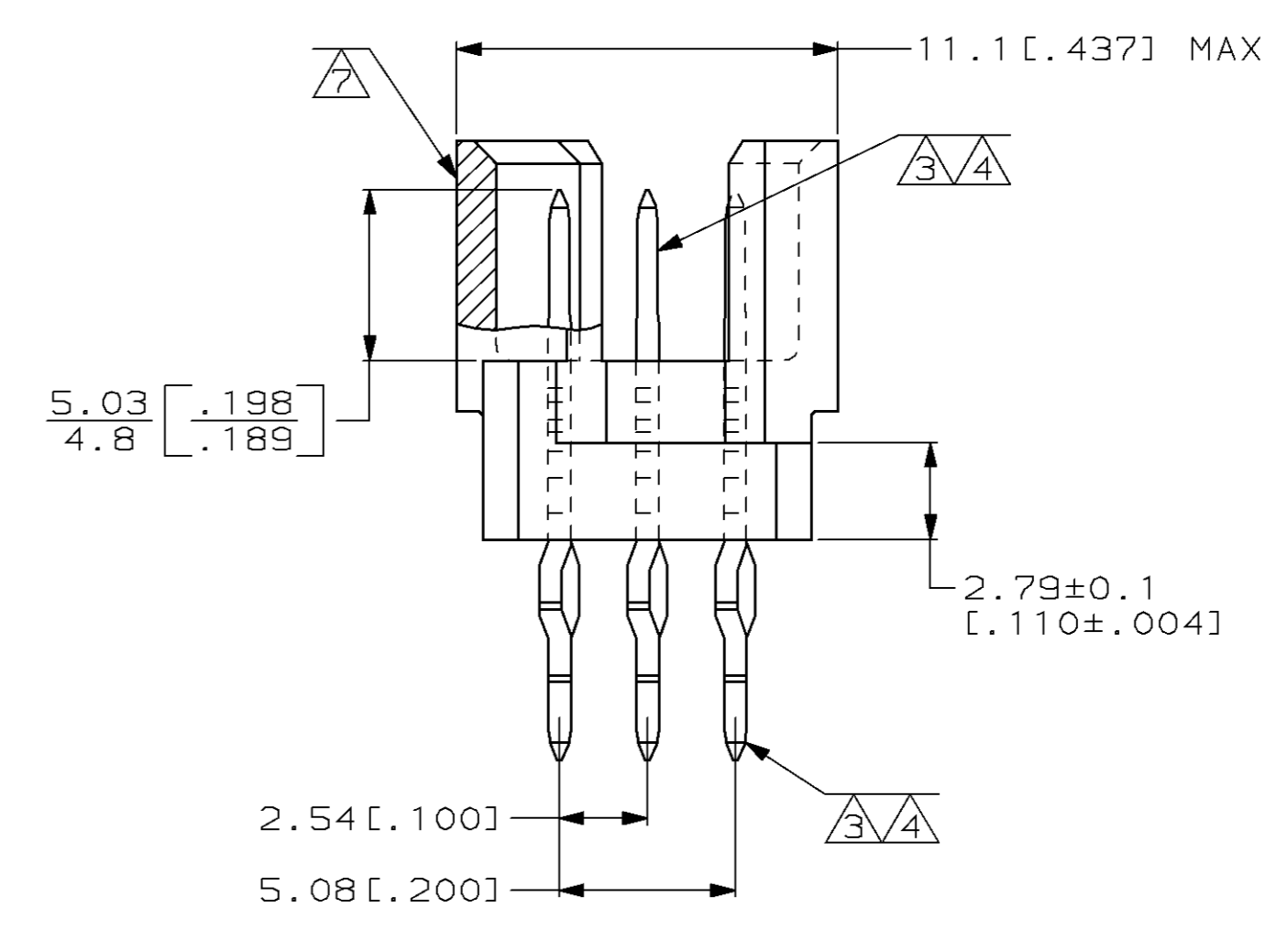


| LOC | | DIST | | P | | F | | ZONE | | LTR | | REVISIONS | | |
|-----|----|------|--|---|--|---|--|------|--|-----|--|-------------------|----------|------|
| AD | 25 | | | | | | | | | | | DESCRIPTION | DATE | APPD |
| | | | | | | | | | | | | H EC 0504-0087-96 | 11/18/96 | CR |



- △ HOUSING MATERIAL: GLASS-FILLED POLYESTER. COLOR: GRAY.
- △ POST MATERIAL: PHOSPHOR BRONZE.
- △ POST FINISH: DIN 41612 CLASS 3 IN CONTACT AREA. TIN-LEAD PLATE ON POSTS.
- △ POST FINISH: DIN 41612 CLASS 2 IN CONTACT AREA. TIN-LEAD PLATE ON POSTS.
- △ ACTION PIN POSTS REQUIRE 2.36 [0.093] MINIMUM THICK PC BOARD. RECOMMENDED PC BOARD HOLES ARE 1.151 [0.0453] DIA PLATED THROUGH WITH 0.02-0.08 [0.001-.003] COPPER AND 0.008 [0.0003] MINIMUM TIN-LEAD PLATING. FINISHED HOLE AFTER PLATING, 0.94-1.09 [0.037-.043] DIA.
- △ [PART NUMBER, DATE CODE] MARKED THIS APPROXIMATE AREA.
- △ MARKING ON THIS SIDE.



SUPERSEDED BY 650921-5

| NOTES | POSITIONS LOADED | C | B | A | NO. OF LOADED POSITION | ASSY PART NUMBER |
|-------|------------------|---|---|---|------------------------|------------------|
| | 1-40 | X | X | X | 120 | 650921-9 |
| | 1-40 | X | X | X | 120 | 650921-5 |

| DO NOT SCALE PRINT. UNLESS SPECIFIED DIMENSIONS IN mm [INCHES] TOLERANCES ON: | | PART NO | |
|---|--------------------------|-----------------------------|--|
| 1 PLC DEC ± - | 2 PLC DEC ± 0.13 [0.005] | DR L. BRINER 3/18/91 | AMP Incorporated Harrisburg, PA 17105-3608 |
| ANGLES ± - | | CHK D.C. RUBENDALL 3/26/91 | |
| MATERIAL HOUSING: △ | POST: △ | APPD D.C. RUBENDALL 3/26/91 | NAME PIN ASSEMBLY, EUROCARD, TYPE "R" |
| FINISH POST: △/△ | | APPD K.R. PARMER 3/26/91 | PRODUCT SPEC - |
| APPLICATION SPEC - | SIZE D | SCALE 5:1 | DRAWING NO 650921 |
| WEIGHT - | | | SHEET 1 OF 1 |